

### FEATURES

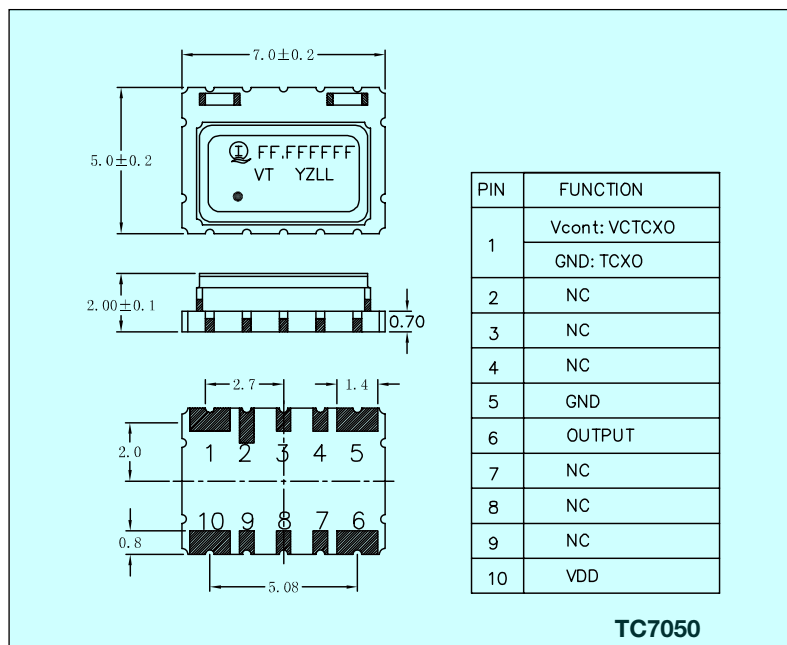
- Compact size
- High reliability seam welded package
- Pick and place assembly
- Low supply voltage version available



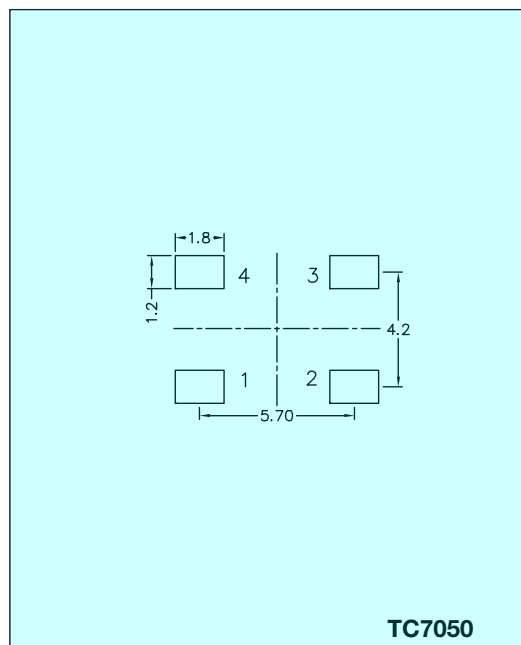
Parameters	Specifications
Output Waveform 輸出波型	Clipped Sine
Frequency Range 頻率範圍	10.0MHz to 30.0MHz
Supply Voltage Range (Vdd) 工作電壓範圍	3.3V, 5.0V
Operating Temperature Range 工作溫度範圍	-20°C ~ +70°C, -40°C ~ +85°C
Frequency Stability 頻率偏差	
vs. Room Temp. (25°C ± 3°C) 相對常溫	±0.5ppm, ±1.0ppm, ±1.5ppm, ±2.0ppm, ±2.5ppm
vs. Operating Temp. 相對工作溫度	±0.5ppm, ±1.0ppm, ±1.5ppm, ±2.0ppm, ±2.5ppm
vs. Voltage Change (±5%) 相對電壓變化	±0.3ppm Max
vs. Load Change (±5%) 相對負載變化	±0.3ppm Max
vs. Aging (First Year) 相對首年老化率	±1ppm
Current Consumption (Idd) 消耗電流	5mA Max.
Rise & Fall Time 上 / 下沿時間	10ns Max.
Output Symmetry 輸出對稱性	45% ~ 55%
Output Voltage 輸出電壓	Vp-p
Output Load 輸出負載	0.8V Min.
Pullability 牽引範圍 (for VCTCXO)	10k ohms // 10pF
Control Voltage Range 控制電壓範圍 (for VCTC)	±5ppm Min.
Phase Noise @ 1kHz Offset	1.4V±1V or 1.5V±1V
Start-up Time 起動時間	-130dBc/Hz Max.
Storage Temperature Range 儲存溫度範圍	10ms Max.
	-55°C ~ +125°C

Please consult our sales representatives for other specifications.  
如對其他規格查詢，請與我司銷售人員聯繫

### DIMENSION (mm)



### SOLDERING PATTERN (mm)



All specifications are subject to change without prior notice.  
本公司保留修改規格的權利。



Shenzhen XINSHOUXUAN Electronic CO.,LTD  
深圳市新首選電子有限公司

add: The 5/F 18 Building Hongfa Industry Garder Jingtang Rod. Tangtou village Shiyan Street Bao-an District Shenzhen City. China  
Tel: +86-755-2982 6177 Fax: +86-755-2982 6178 Email: info@jhxcorp.com Web: http://www.xsxce.com 中文域名: 新首選·中國