

FEATURES

- Ultra-miniature size
- High reliability seam welded package
- Pick and place assembly
- Low supply voltage version available

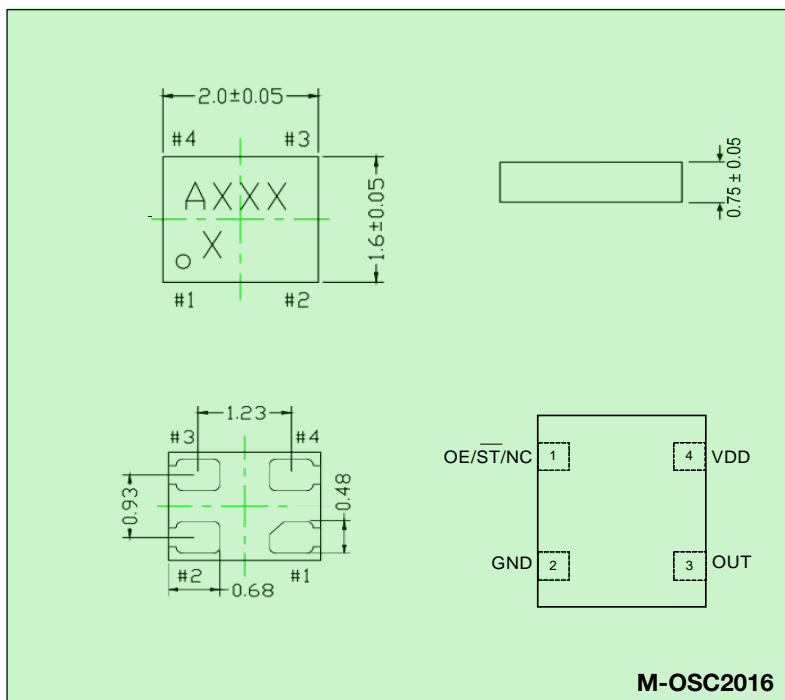


Parameters		Specifications	
Output Waveform 輸出波型		LVCOMS	
Frequency Range 頻率範圍		1.000 ~ 110.000 MHz	115.000 ~ 137.000 MHz
Supply Voltage Range (Vdd) 工作電壓範圍		1.8V 2.5V 2.8V 3.0V 3.3V	
Overall Frequency Stability with refer to 25°C** 相對於 25°C 的總頻率偏差**		±20 ppm	±25 ppm ±50 ppm
Operating Temperature Range 工作溫度範圍		-20°C ~ +70°C , -40°C ~ +85°C	
Current Consumption (Idd) 消耗電流		4.5 mA Max.	7.5 mA Max.
Rise & Fall Time 上 / 下沿時間		2.5 ns Max	
Output Symmetry 輸出對稱性		40% ~ 60% , 45% ~ 55%	
Output Voltage 輸出電壓	V _{OH}	90% VDD	
	V _{OL}	10% VDD	
Output Load 輸出負載		15pF	
Start-up Time 起動時間		5.0 ms Max	
Storage Temperature Range 儲存溫度範圍		-55°C ~ +125°C	

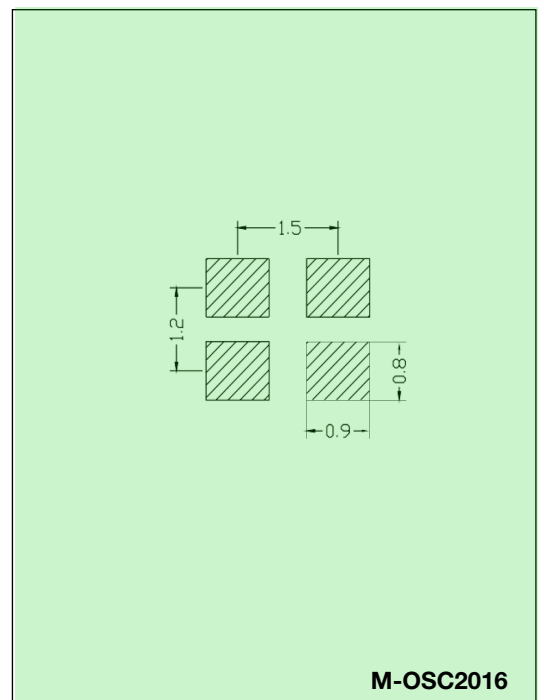
** Inclusive of initial frequency tolerance at 25°C, operating temperature range, supply voltage change, load variation and 1st year aging.
包括在常溫頻率偏差、工作溫度範圍的頻率偏差、首年老化率、工作電壓及負載變化造成的頻率偏差。

Please consult our sales representatives for other specifications
如對其他規格查詢，請與我司銷售人員聯繫

DIMENSION (mm)



SOLDERING PATTERN (mm)



All specifications are subject to change without prior notice.
本公司保留修改規格的權利。



Shenzhen XINSHOUXUAN Electronic CO.,LTD
深圳市新首選電子有限公司

add: The 5/F 18 Building Hongfa Industry Garder Jingtang Rod. Tangtou village Shiyan Street Bao-an District Shenzhen City. China
Tel: +86-755-2982 6177 Fax: +86-755-2982 6178 Email:info@jhxcorp.com Web:http://www.xsxce.com 中文域名: 新首選·中國