

## TUNING FORK RESONATORS (SMD)

### 表貼音叉式諧振器



#### FEATURES

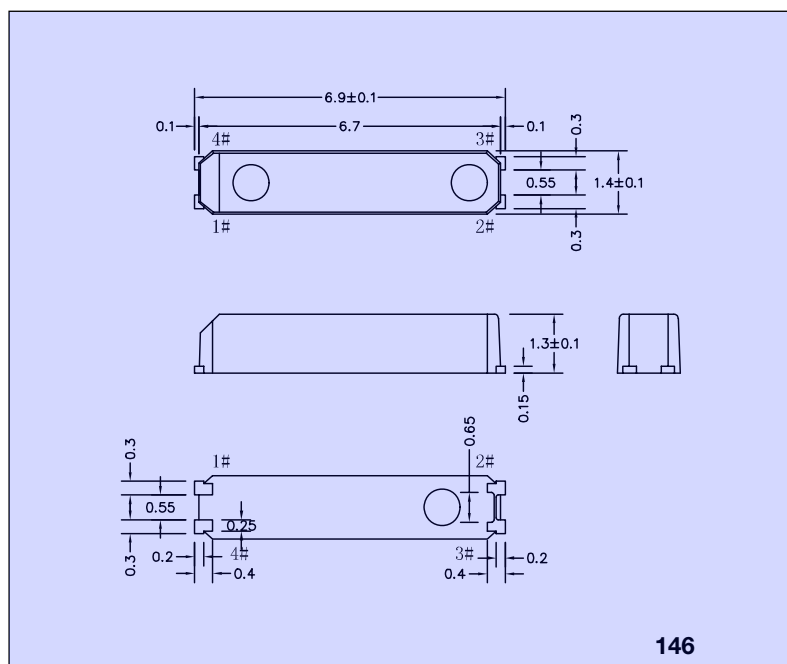
- Surface Mount
- Pick and place assembly
- Reflow solderable

RoHS II  
Compliant

Parameters		Specifications
Nominal Frequency 標稱頻率	$f_0$	32.768KHz
Frequency Tolerance, $T_a=25^\circ\text{C} \pm 3^\circ\text{C}$ 常溫頻率偏差	$\Delta f/f$	$\pm 20\text{ppm}$
Load Capacitance 負載電容	$C_L$	12.5pF
Temperature Coefficient 溫度系數	$\Delta f/f$	$-0.034 \pm 0.006\text{ppm}/^\circ\text{C}^2$
Operating Temperature Range 工作溫度範圍	$T_{\text{OPR}}$	$-20^\circ\text{C} \sim +70^\circ\text{C}$
Storage Temperature Range 儲存溫度範圍	$T_{\text{STG}}$	$-55^\circ\text{C} \sim +125^\circ\text{C}$
Drive Level 激勵功率	DL	0.001mW Max.
Series Resistance (ESR) 串聯諧振阻抗	$R_1$	70K $\Omega$ Max.
Insulation Resistance 絕緣阻抗	IR	500M $\Omega$ Min.
Aging 老化率	$\Delta f_A$	$\pm 5\text{ppm}/\text{Year}$ Max.

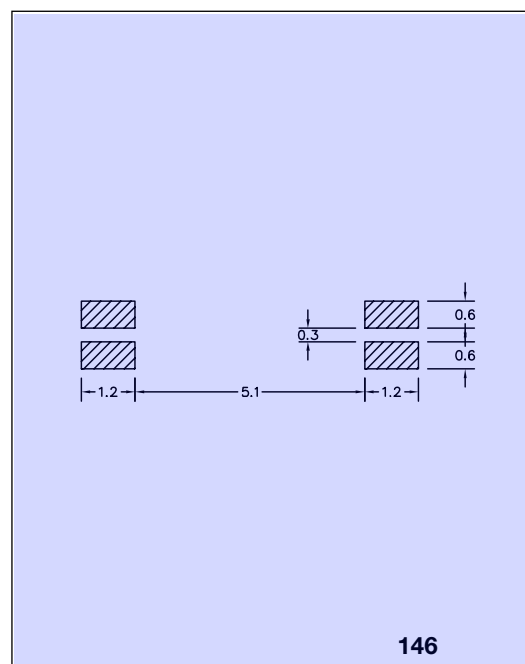
Please consult our sales representatives for other specifications.  
如對其他規格查詢，請與我司銷售人員聯繫

#### DIMENSION (mm)



146

#### SOLDERING PATTERN (mm)



146

All specifications are subject to change without prior notice.  
本公司保留修改規格的權利。



Shenzhen XINSHOUXUAN Electronic CO.,LTD  
深圳市新首選電子有限公司

add: The 5/F 18 Building Hongfa Industry Garder Jingtang Rod. Tangtou village Shiyan Street Bao-an District Shenzhen City. China  
Tel: +86-755-2982 6177 Fax: +86-755-2982 6178 Email: info@jhxcorp.com Web: http://www.xsxe.com 中文域名: 新首選·中國