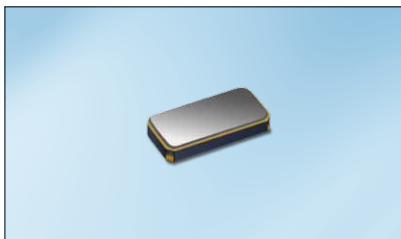


3215

TUNING FORK RESONATORS (SMD) 表貼音叉式諧振器



FEATURES

- Small size
- Surface Mount with Ceramic Package
- Reflow solderable

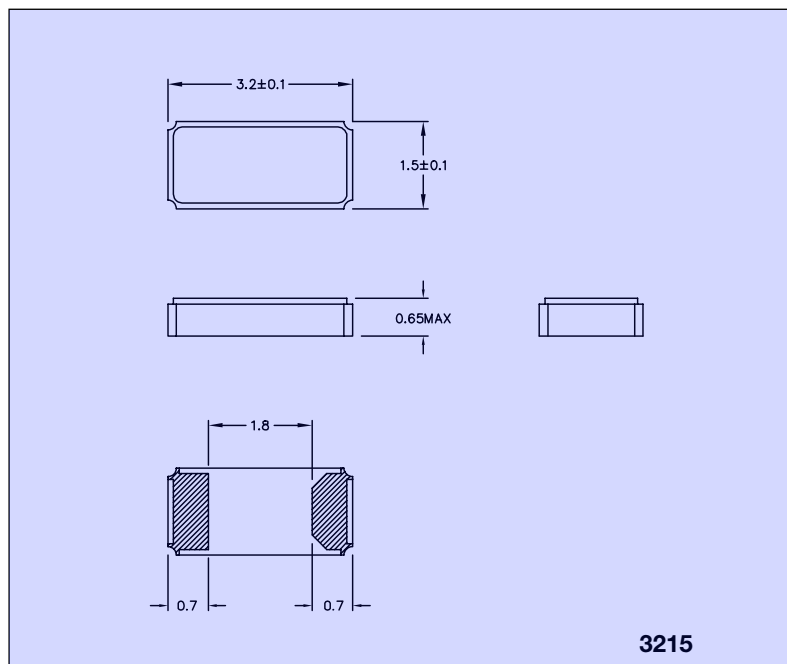
REACH
Compliant

RoHS II
Compliant

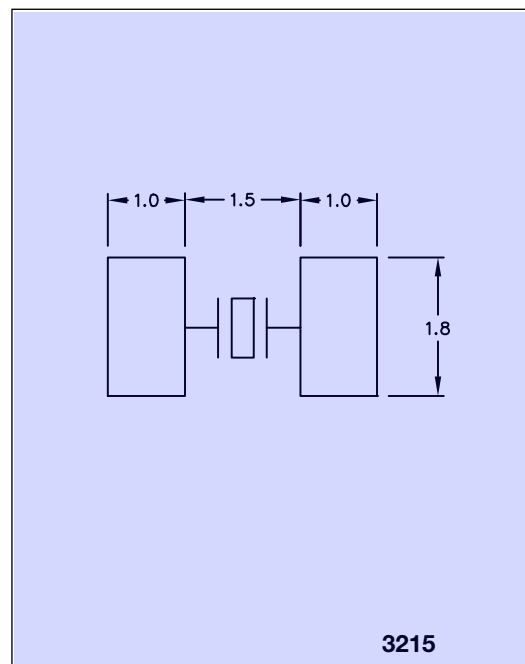
Parameters		Specifications
Nominal Frequency 標稱頻率	f_0	32.768KHz
Frequency Tolerance, Ta=25°C ± 3°C 常溫頻率偏差	$\Delta f/f$	±20ppm
Load Capacitance 負載電容	C_L	12.5pF or customer specify
Temperature Coefficient 溫度系數	$\Delta f/f$	-0.03±0.01ppm/°C ²
Operating Temperature Range 工作溫度範圍	T_{OPR}	-20°C ~ +70°C, -40°C ~ +85°C
Storage Temperature Range 儲存溫度範圍	T_{STG}	-55°C ~ +125°C
Drive Level 激勵功率	DL	0.5μW Max.
Series Resistance (ESR) 串聯諧振阻抗	R_1	70KΩ Max.
Insulation Resistance 絕緣阻抗	IR	500MΩ Min.
Aging 老化率	Δf_A	±5ppm/Year Max.

Please consult our sales representatives for other specifications.
如對其他規格查詢，請與我司銷售人員聯繫

DIMENSION (mm)



SOLDERING PATTERN (mm)



All specifications are subject to change without prior notice.
本公司保留修改規格的權利。



Shenzhen XINSHOUXUAN Electronic CO.,LTD
深圳市新首選電子有限公司

add: The 5/F 18 Building Hongfa Industry Garder Jingtang Rod. Tangtou village Shiyan Street Bao-an District Shenzhen City. China
Tel: +86-755-2982 6177 Fax: +86-755-2982 6178 Email: info@jhxcorp.com Web: http://www.xsxce.com 中文域名: 新首選·中國